

COMPLETELY DETAILED DESIGNS FOR THE
SETS AND EFFECTS OF THE GREATEST SPACE FANTASY FILM EVER MADE!

STAR WARS™ BLUEPRINTS

Here are the Cantina At Mos Eiseley,
The Millennium Falcon, Luke's Landspeeder,
The Sandcrawler, The Interior of the Death Star
and more—laid out to scale in exact detail!

15 blueprints in all!

\$6.95

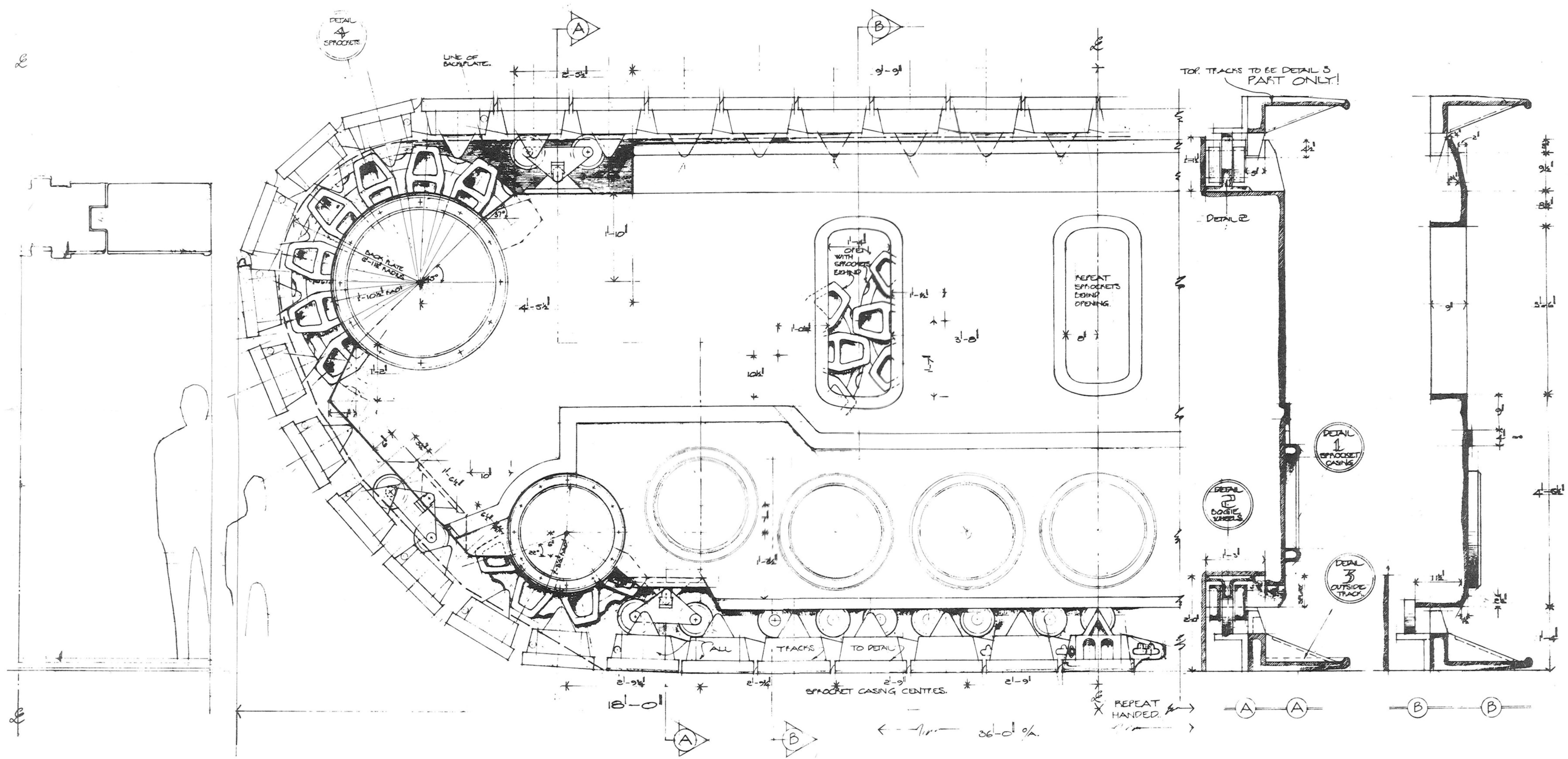
Actual Size
13 $\frac{1}{8}$ "x19"

Copyright © 1977 by Twentieth Century-Fox Film Corporation
All Rights Reserved

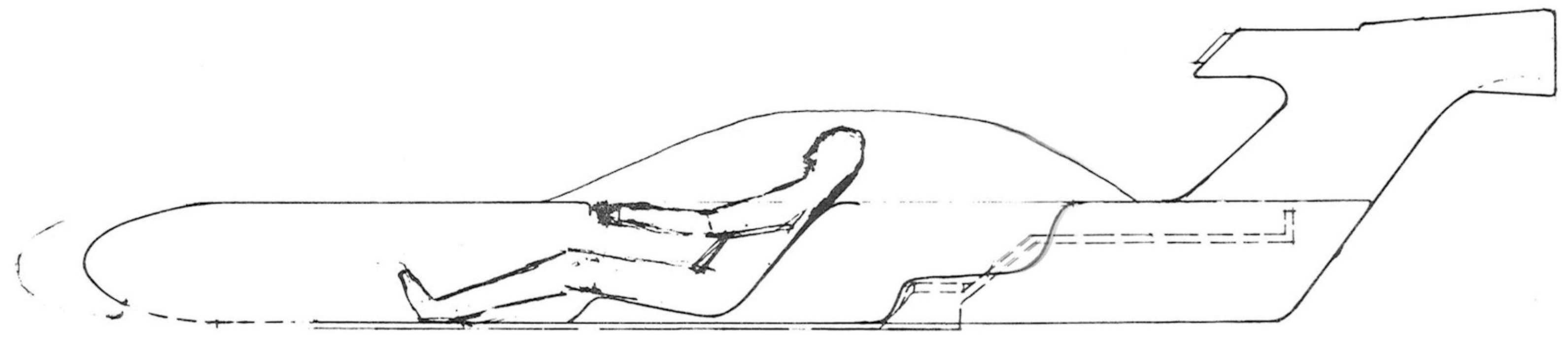
All rights reserved under International and Pan-American Copyright Conventions.
Published in the United States by Ballantine Books, a division of Random House,
Inc., New York and simultaneously in Canada by Ballantine Books of Canada, Ltd.,
Toronto, Canada.

ISBN 0-345-27381-8

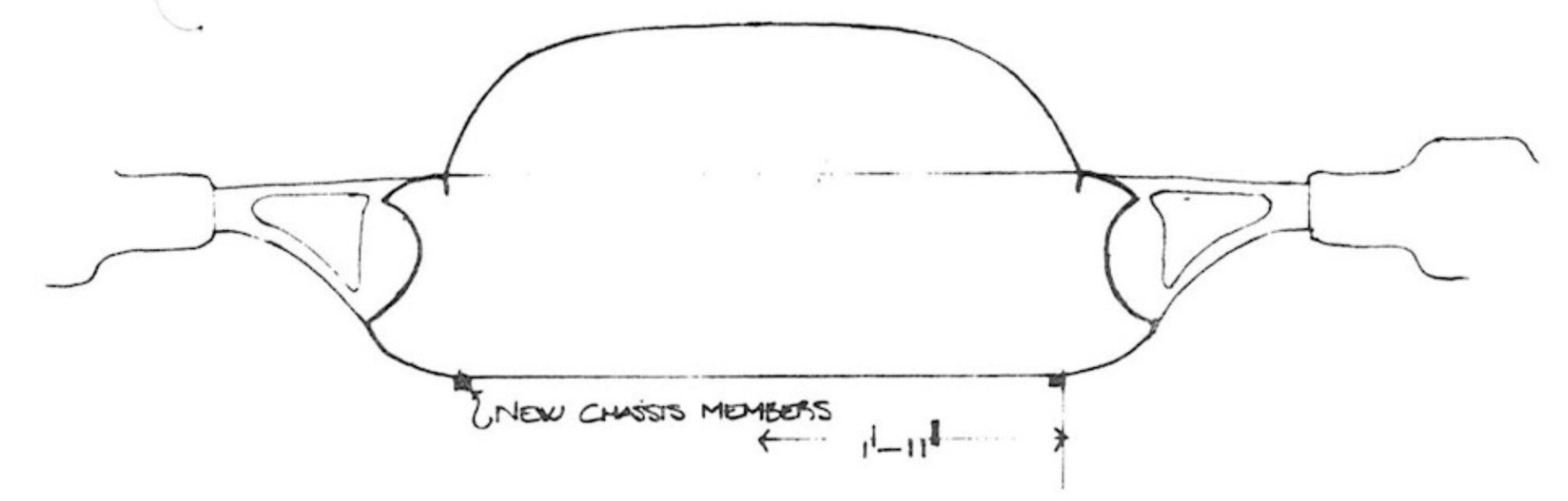
Manufactured in the United States of America
First Ballantine Books Edition: November 1977



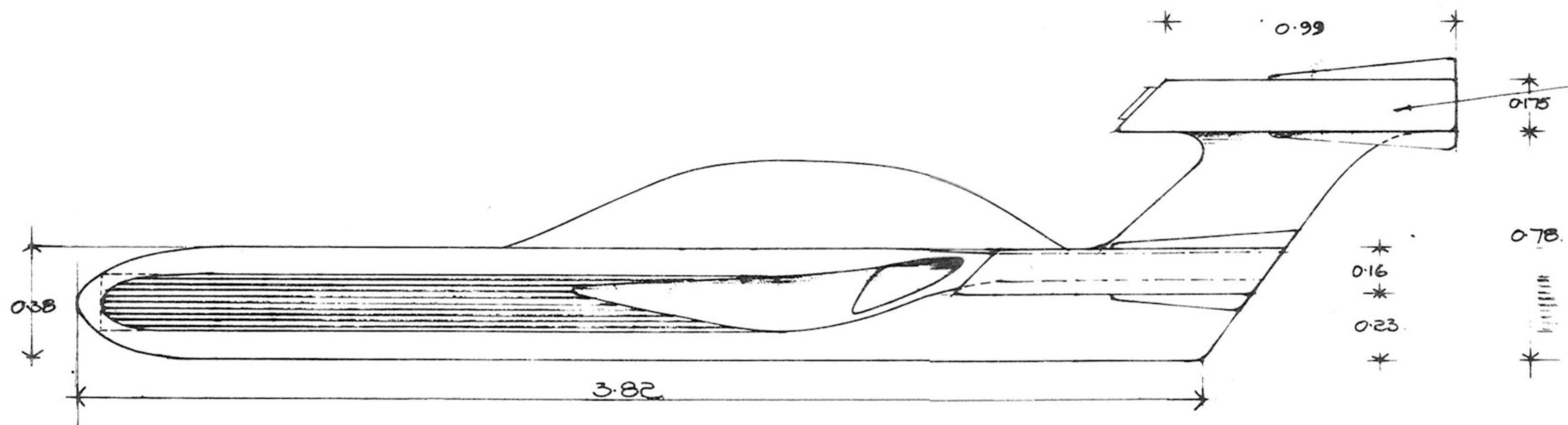
2 SANDCRAWLER TREAD DETAIL



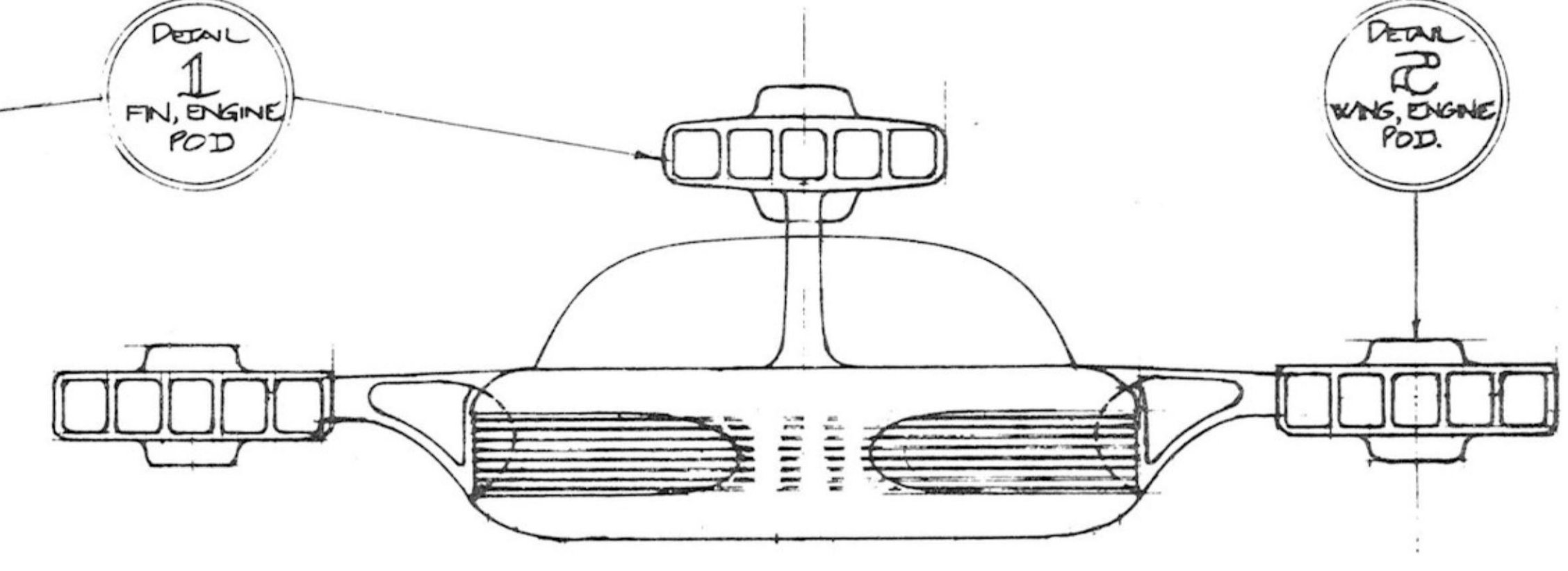
SECTION ON E — RELATIVE CHASSIS POSITION DOTTED.



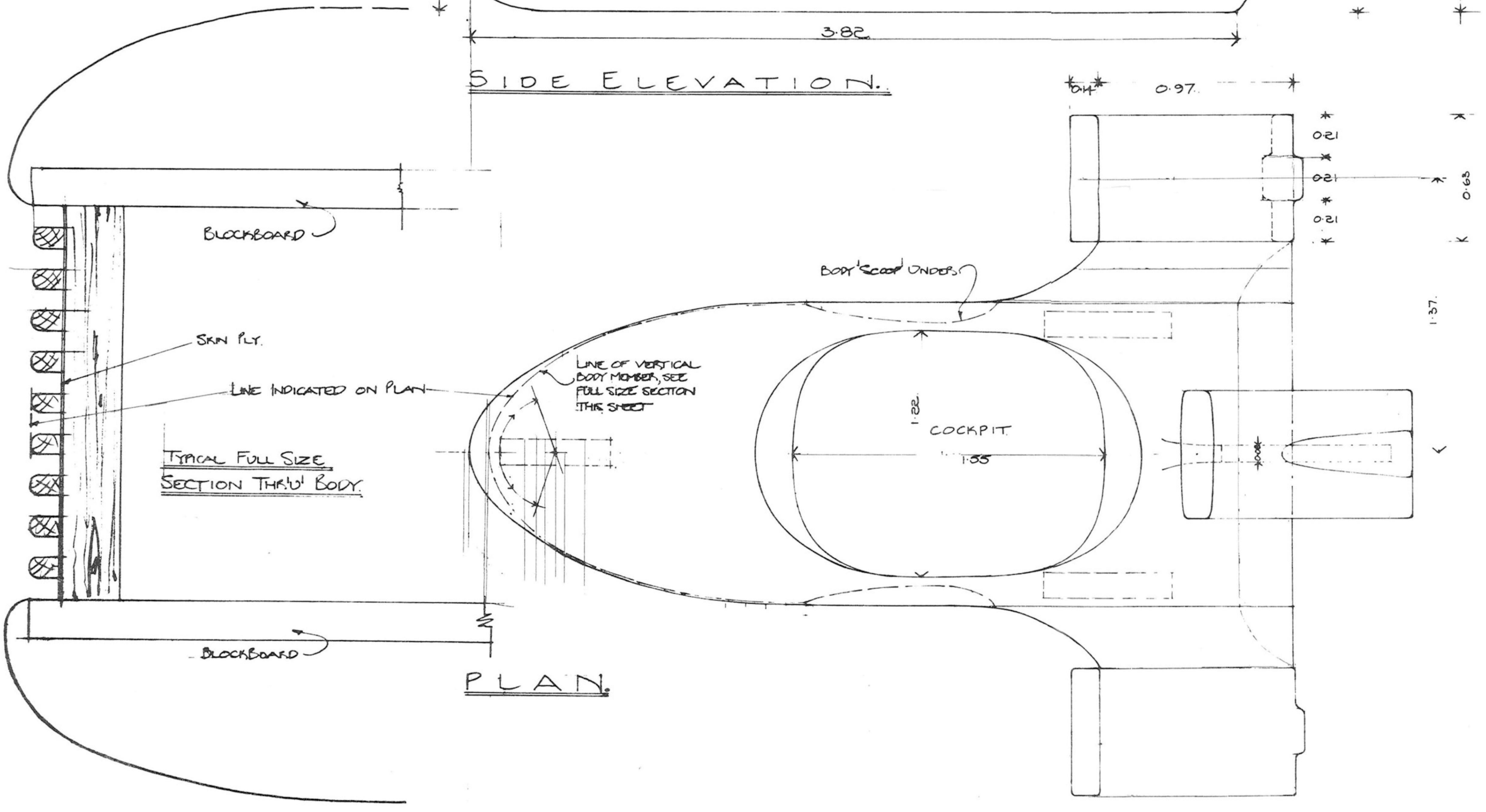
SECTION AT CENTRE OF COCKPIT.



SIDE ELEVATION.



FRONT ELEVATION.



PLAN.

BLOCKBOARD

SKIN PLY.

LINE INDICATED ON PLAN

TYPICAL FULL SIZE SECTION THRU' BODY.

BODY SCAP UNDER.

COCKPIT

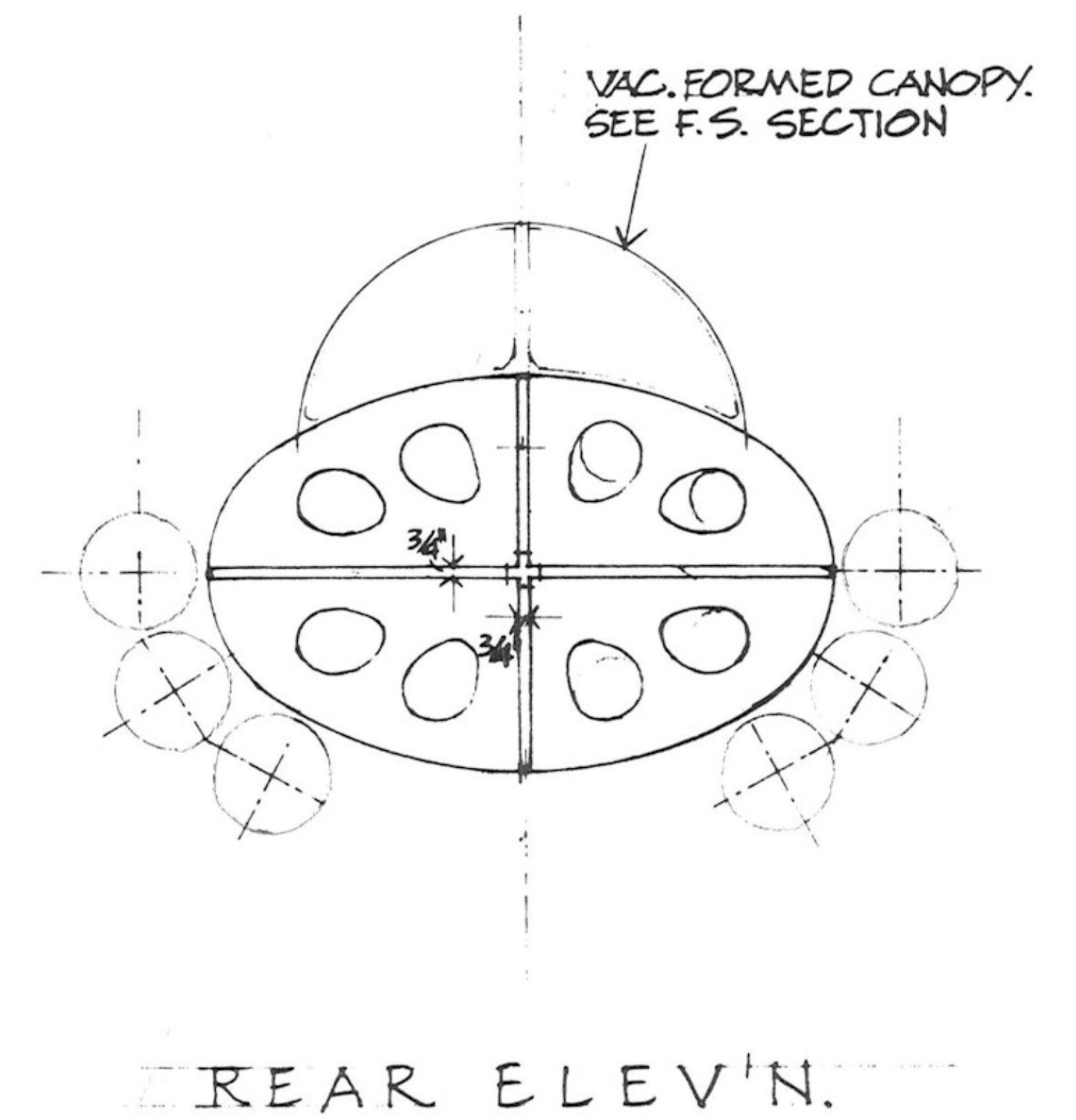
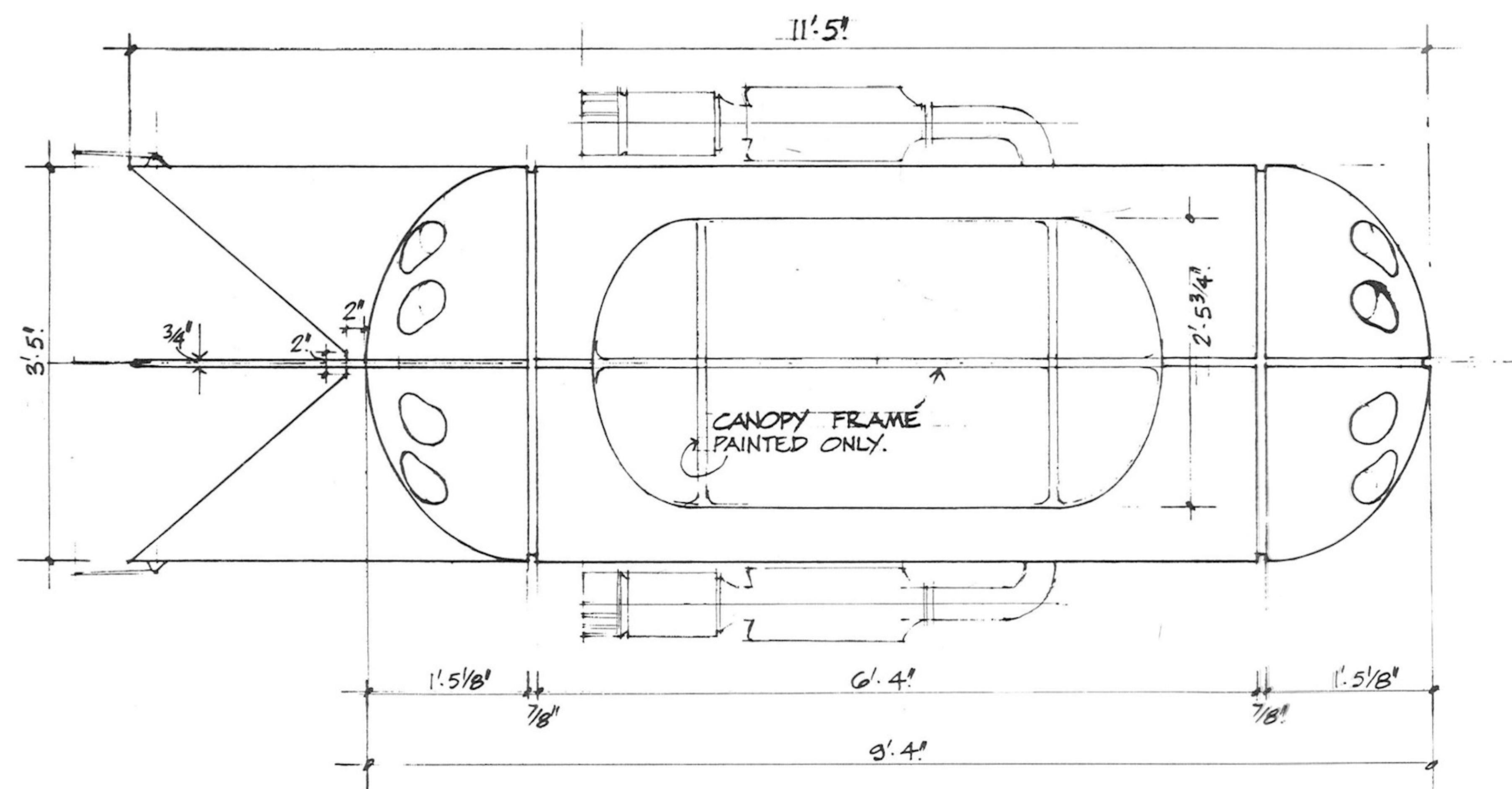
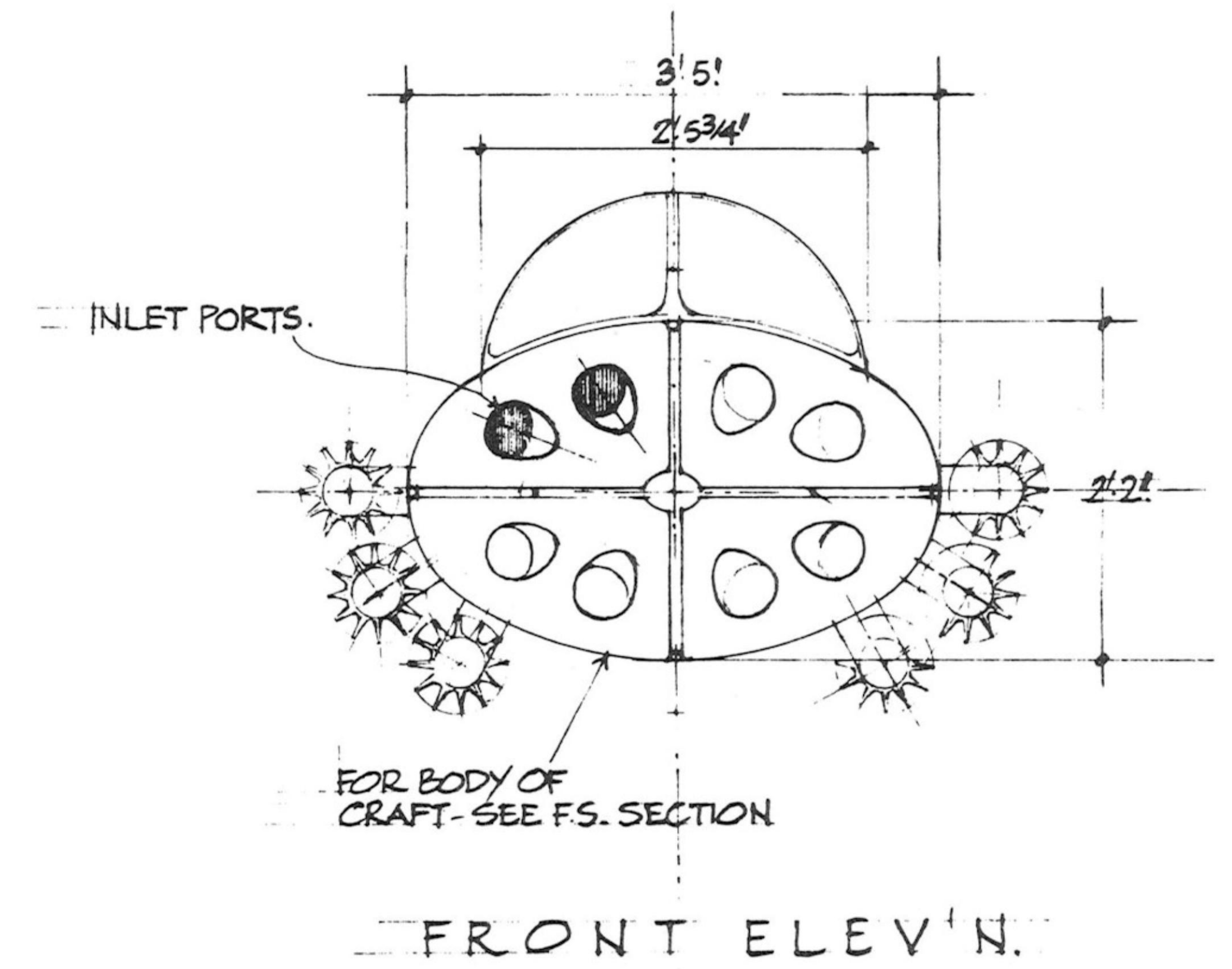
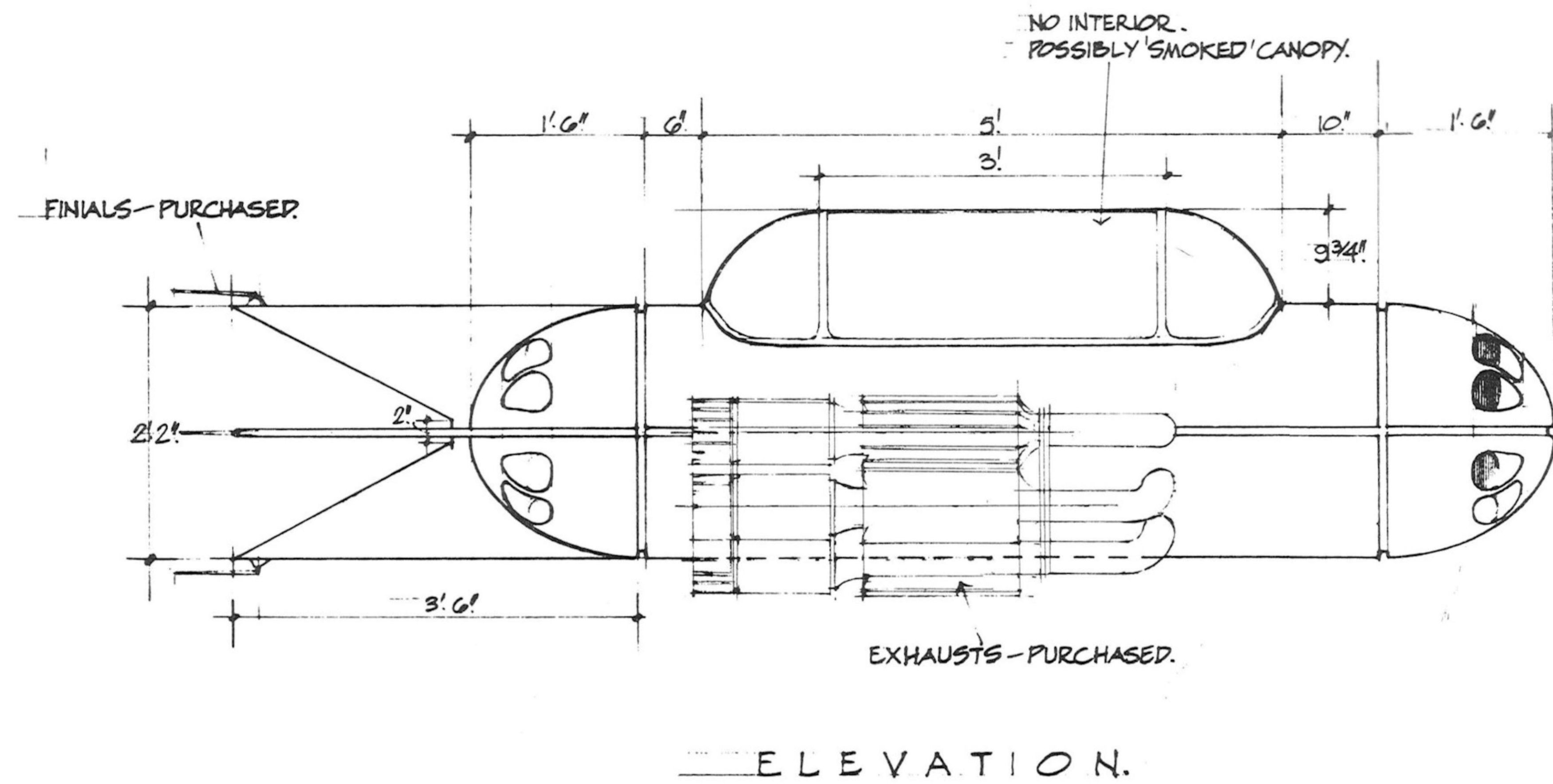
LINE OF VERTICAL BODY MEMBER, SEE FULL SIZE SECTION THIS SHEET

SPEEDER NO 2.
V.W. CHASSIS.

4 LUKE'S LANDSPEEDER

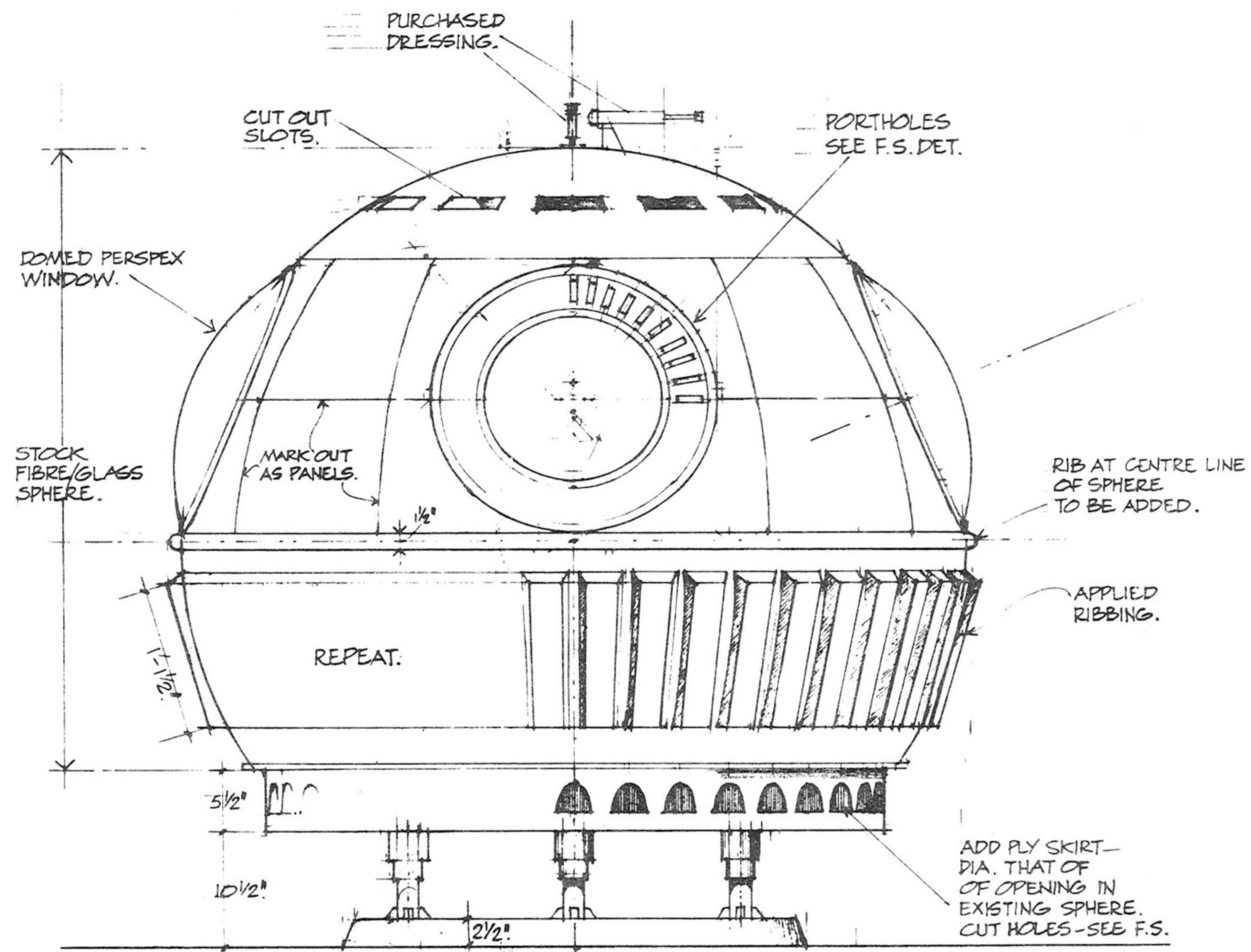
"STAR WARS" - DETAIL SECOND SPEEDER.

SCALE : 1" = 1'-0"

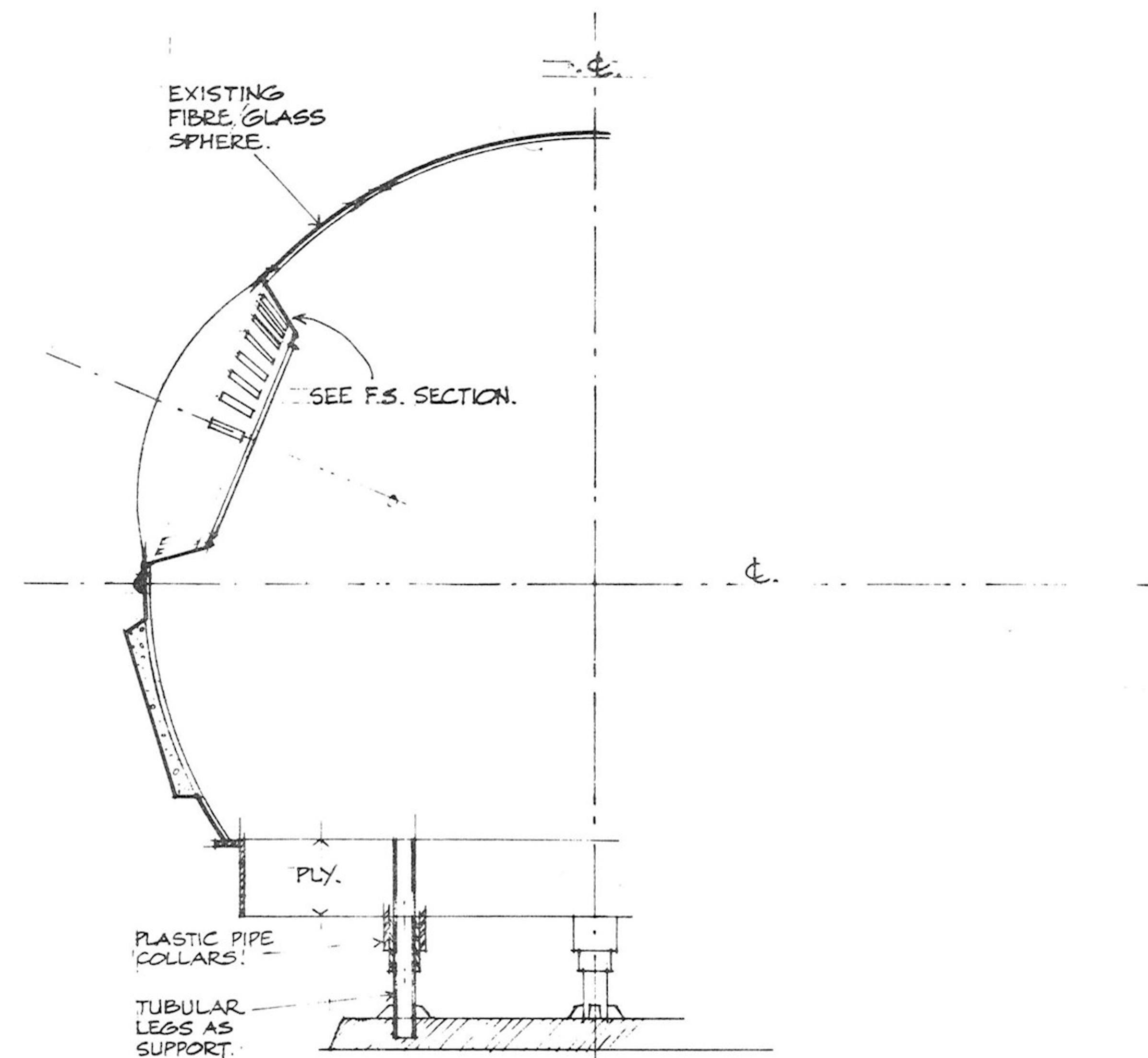


PLAN.

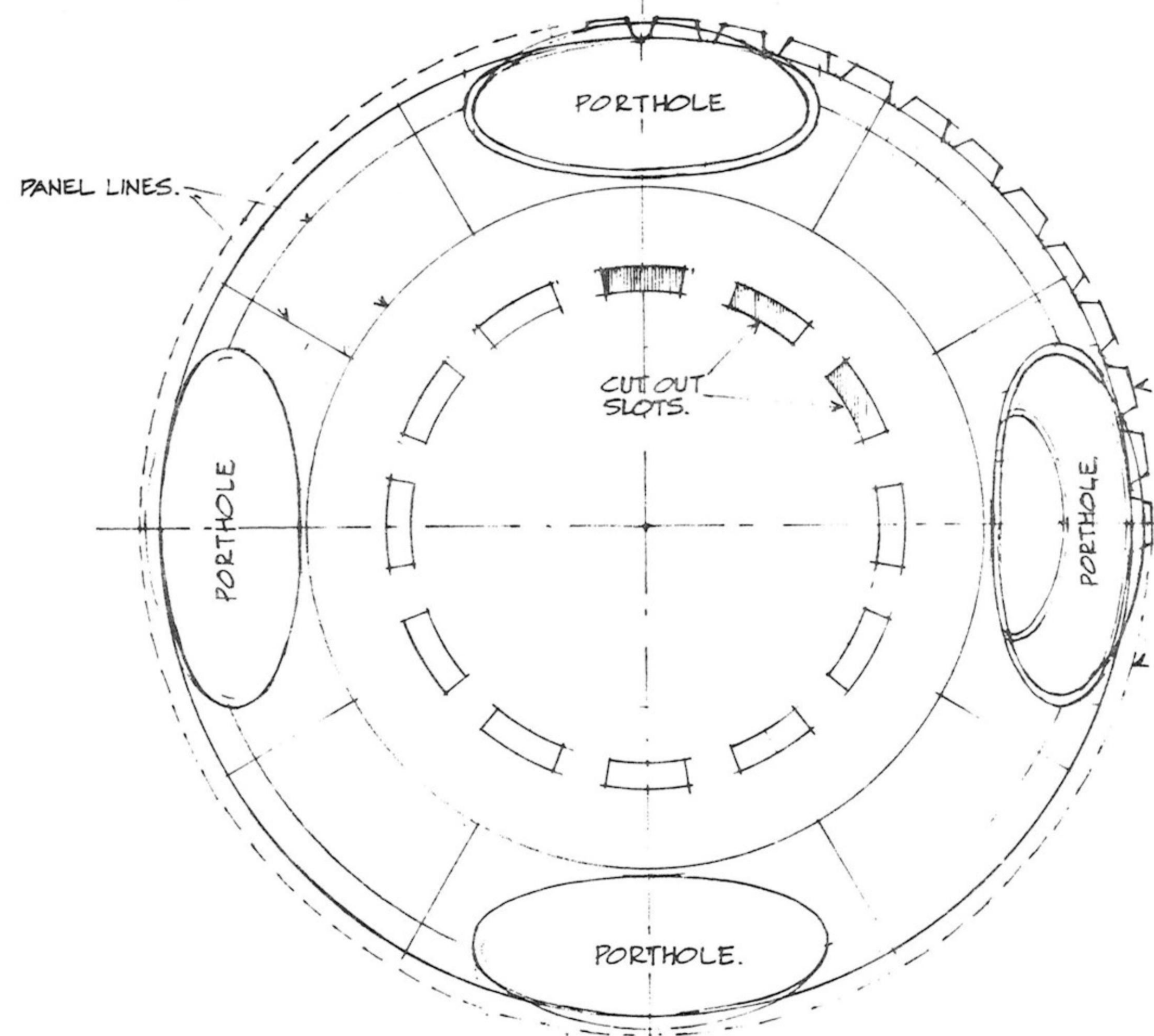
5 MOBQUET LANDSPEEDER



ELEVATION

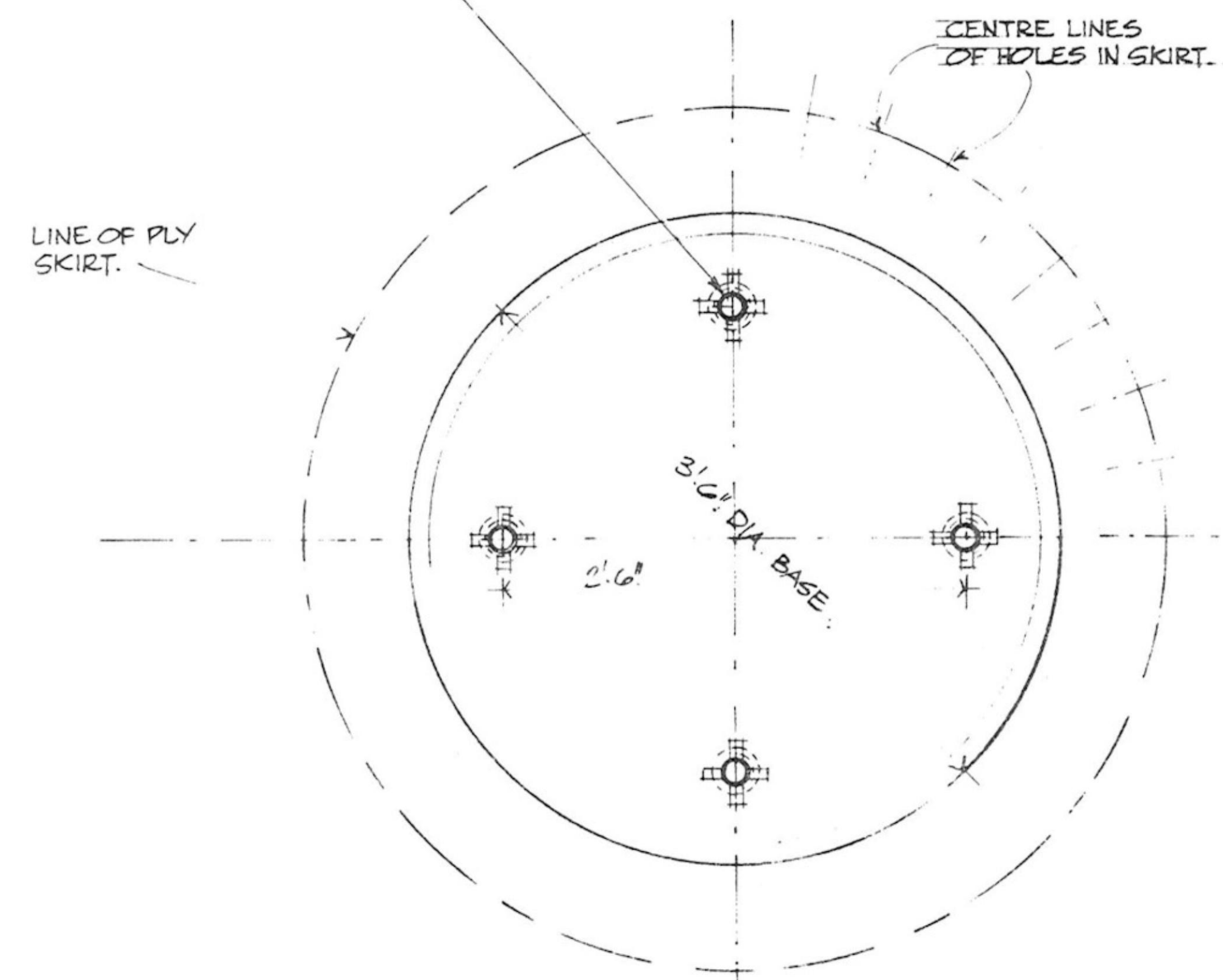


SECTION (HALF).



PLAN

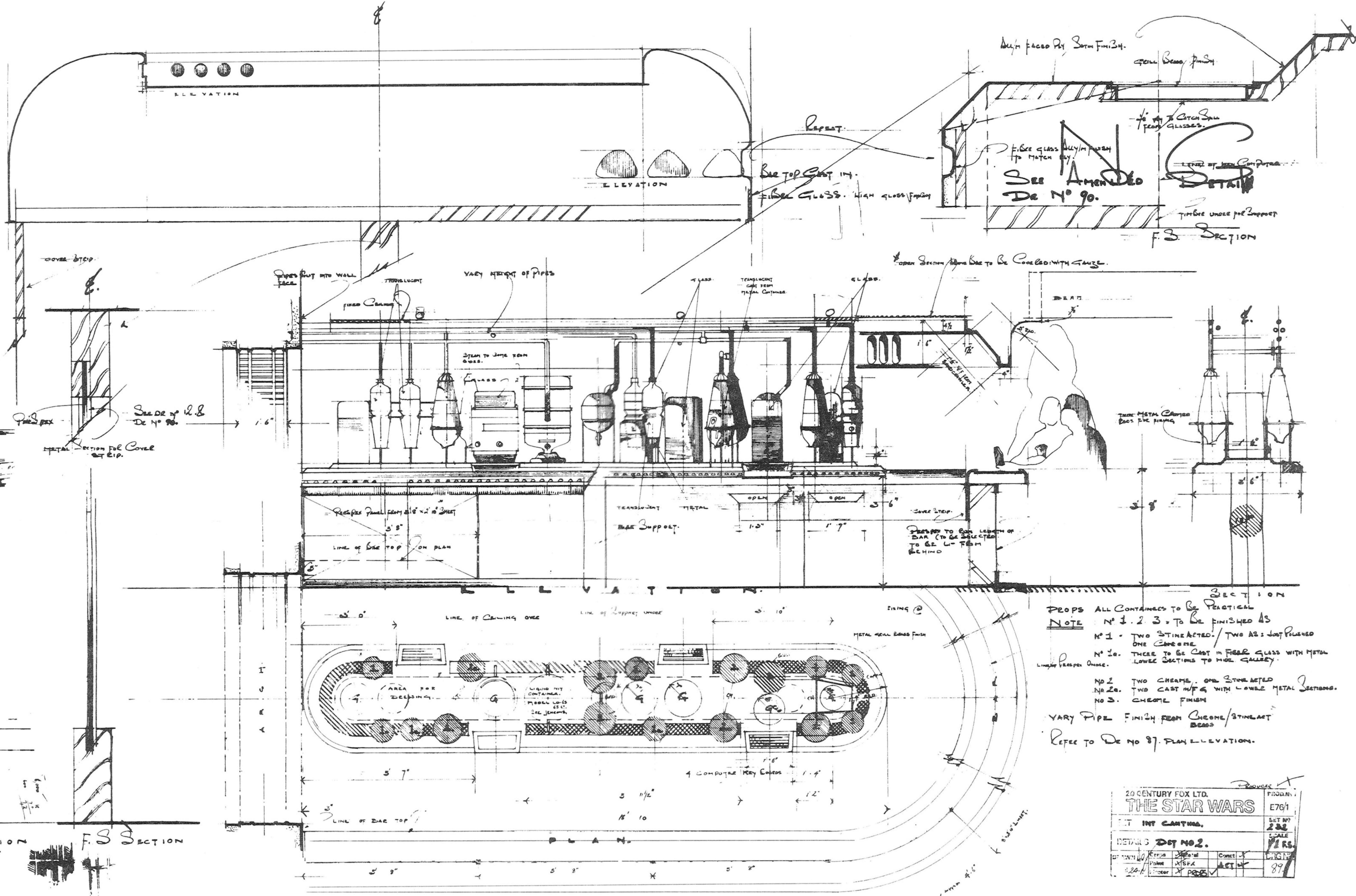
CONTINUE RIBS AROUND COMPLETE CIRCUMFERENCE OF SPHERE.



PLAN OF BASE.

'STAR WARS' DETAIL FOURTH SPEEDER

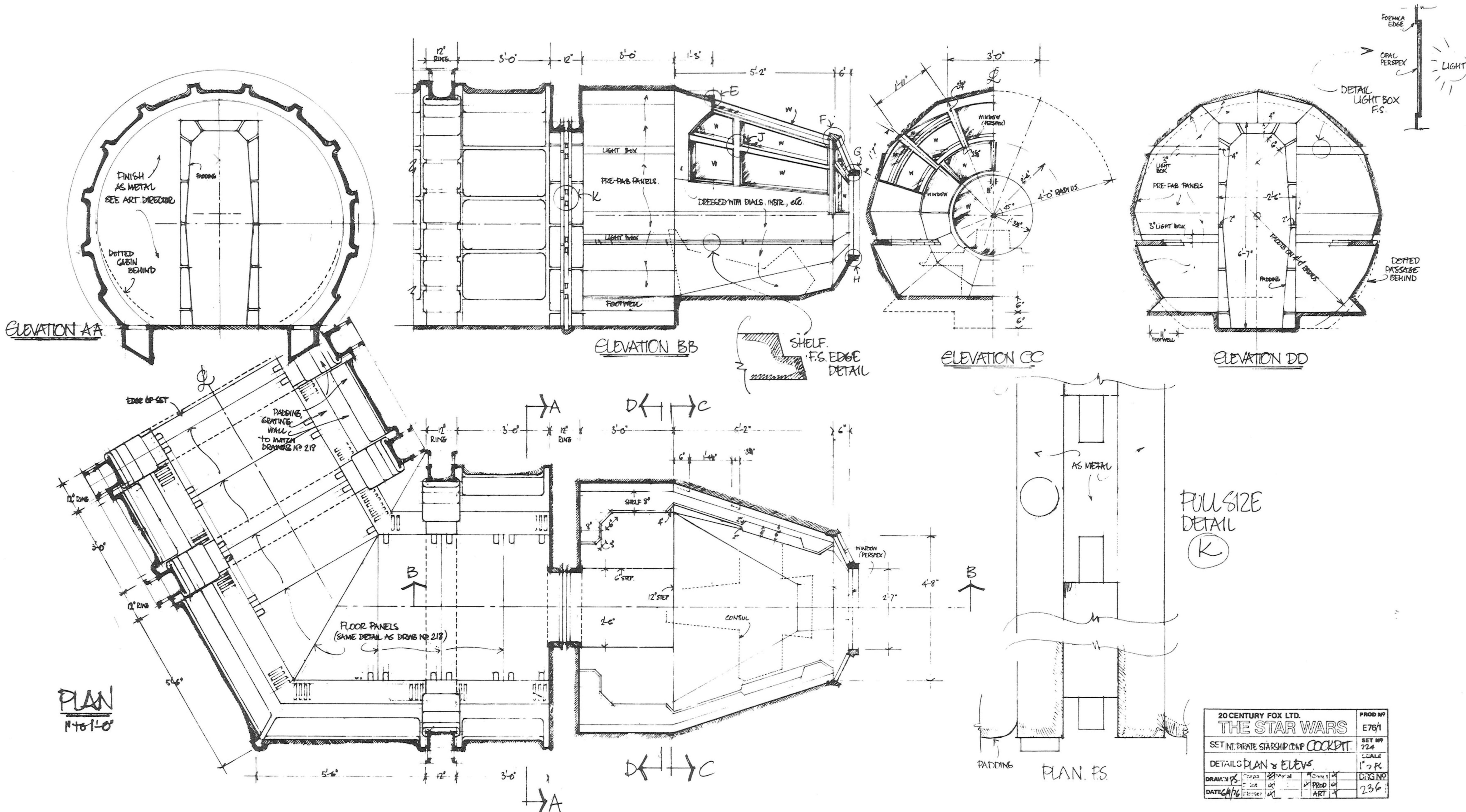
7 UBRICKKIAN LANDSPEEDER 9000 Z001



PROPS ALL CONTAINERS TO BE PRACTICAL
 NOTE: NO 1, 2, 3 TO BE FINISHED AS ONE CONCRETE
 NO 1 - TWO STAINACTED / TWO AS LOST POLISHED ONE CONCRETE
 NO 2a. THREE TO BE CAST IN FIBER GLASS WITH METAL LOWER SECTIONS TO HOLD GALLEY
 NO 2. TWO CHEMICALS, ONE STAINACTED
 NO 2a. TWO CAST IN FIBER GLASS WITH LOWER METAL SECTIONS
 NO 3. CHEMICAL FINISH
 VARY PIPE FINISH FROM CONCRETE/STAINACTED
 REFERENCE TO DE NO 87. PLAN ELEVATION.

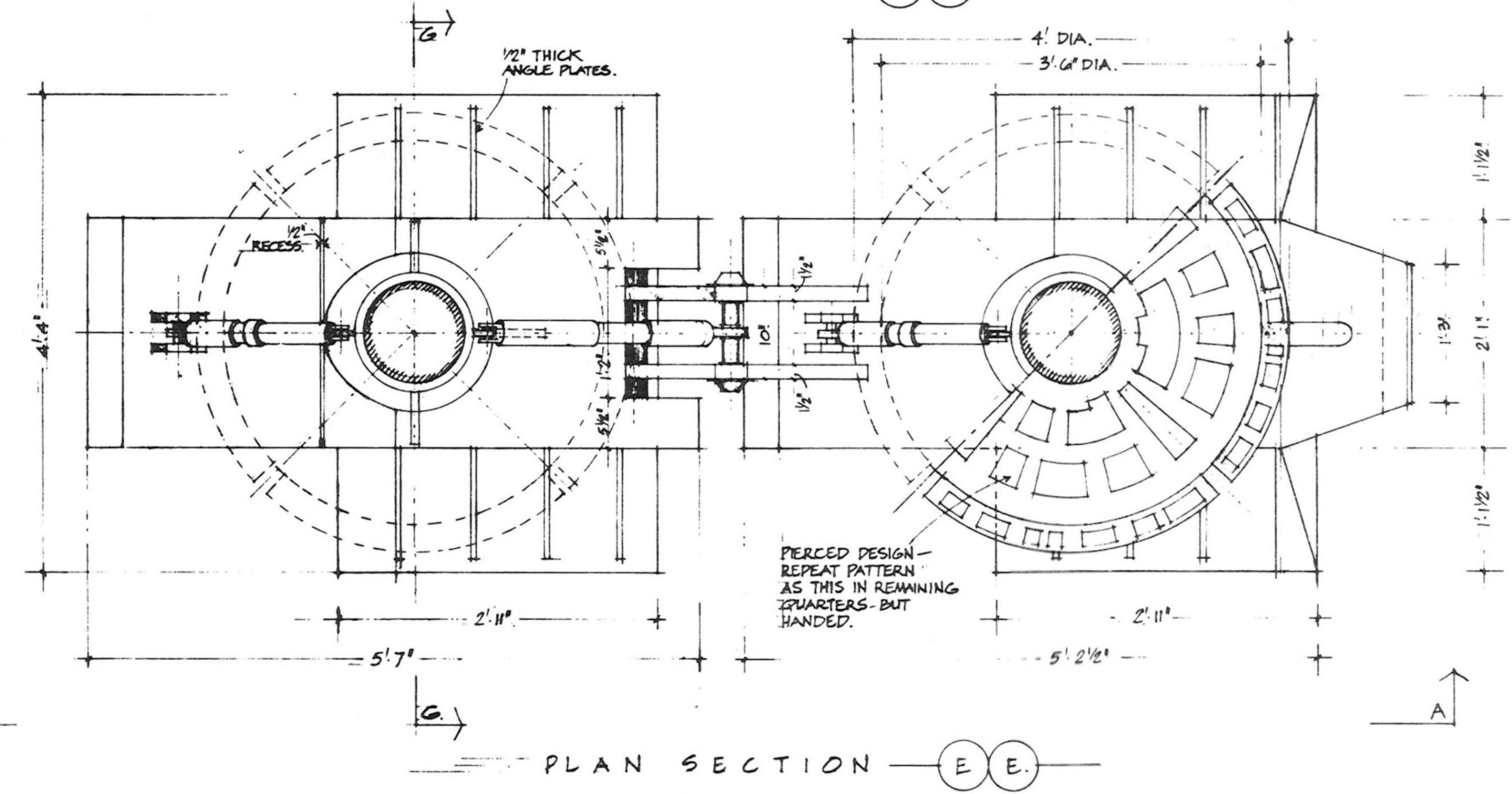
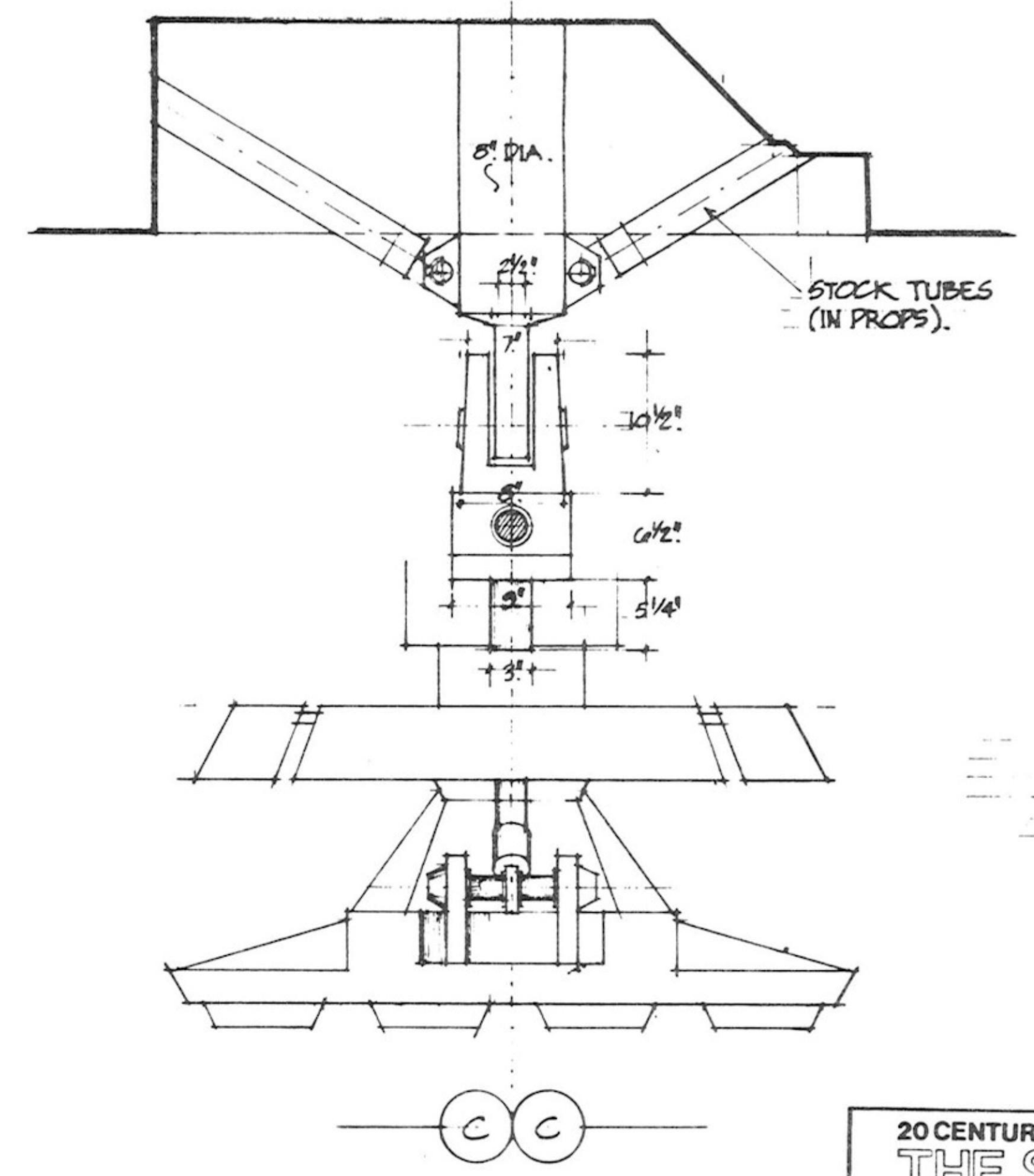
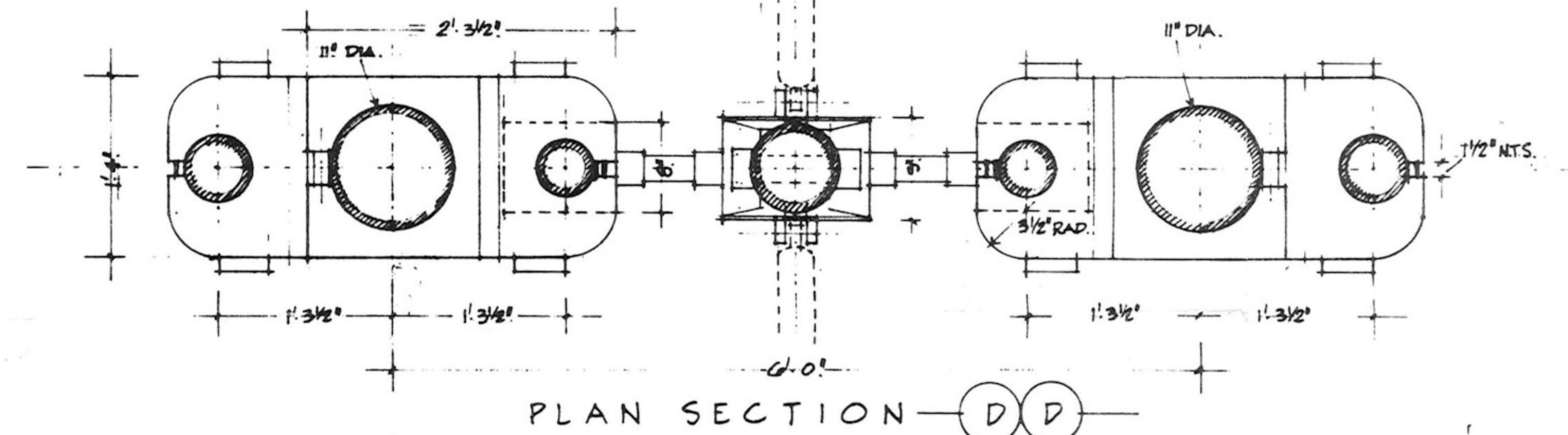
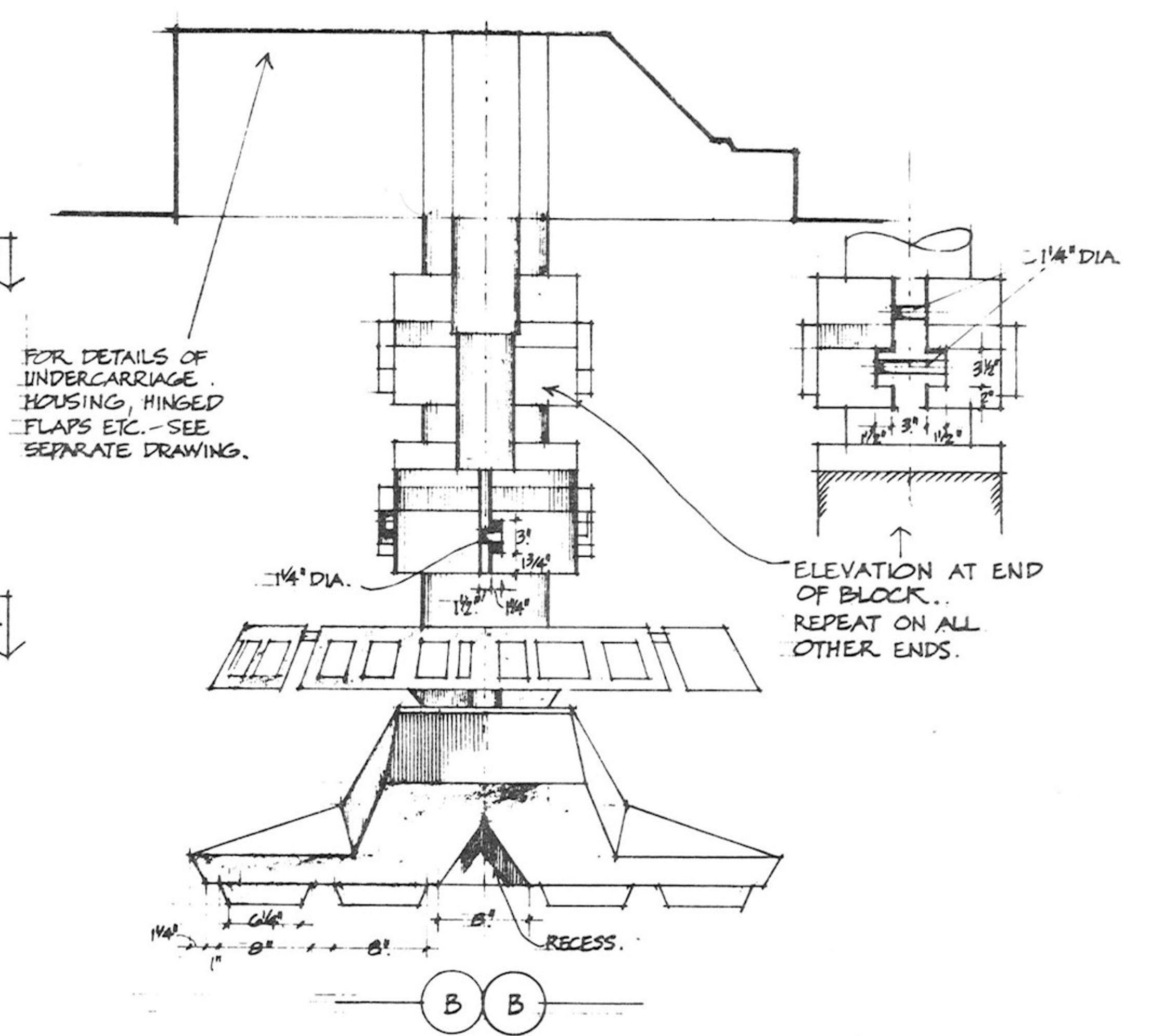
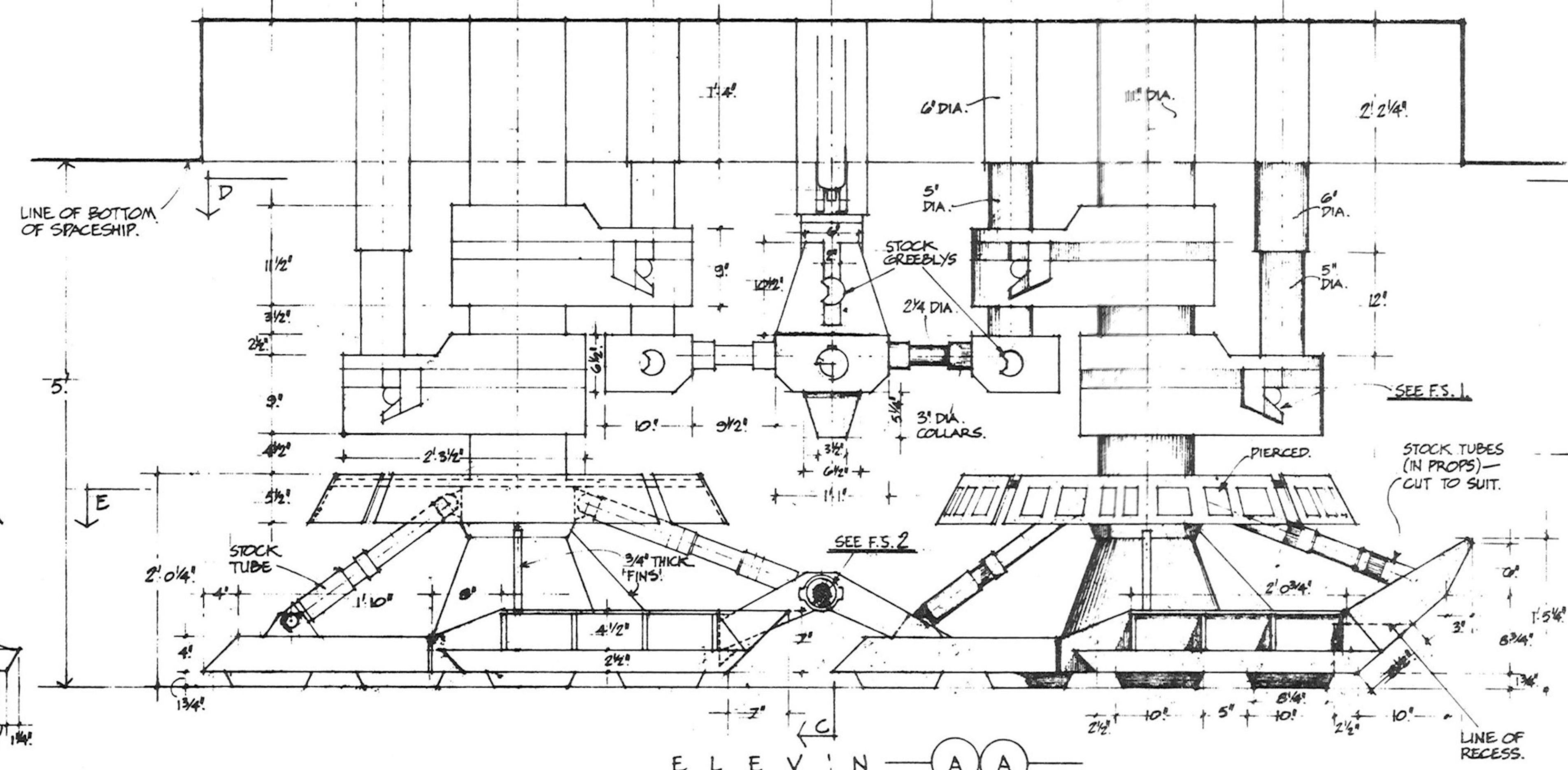
20 CENTURY FOX LTD.		PRODUCTION
THE STAR WARS		E761
INT. CANTINA	SET NO.	232
DETAILS DOT NO 2.	SCALE	1/2" = 1'-0"
DATE: 11/10/77	DESIGNED BY: XSPK	CHECKED BY: XSPK
DRAWN BY: XSPK	APPROVED BY: XSPK	DATE: 11/10/77

8 MOS EISLEY/INTERIOR CANTINA



20 CENTURY FOX LTD.				PROD NO
THE STAR WARS				E76/1
SET INT. PRIVATE STARSHIP COCKPIT				SET NO
DETAILS: PLAN & ELEVATIONS				SCALE
				1" = 2' FS
DRW: N.P.S.	CHK: J.P.	APP: J.P.	DATE: 6/76	DESIGN NO
				236

9 MILLENNIUM FALCON/COCKPIT



F F
(HALF)

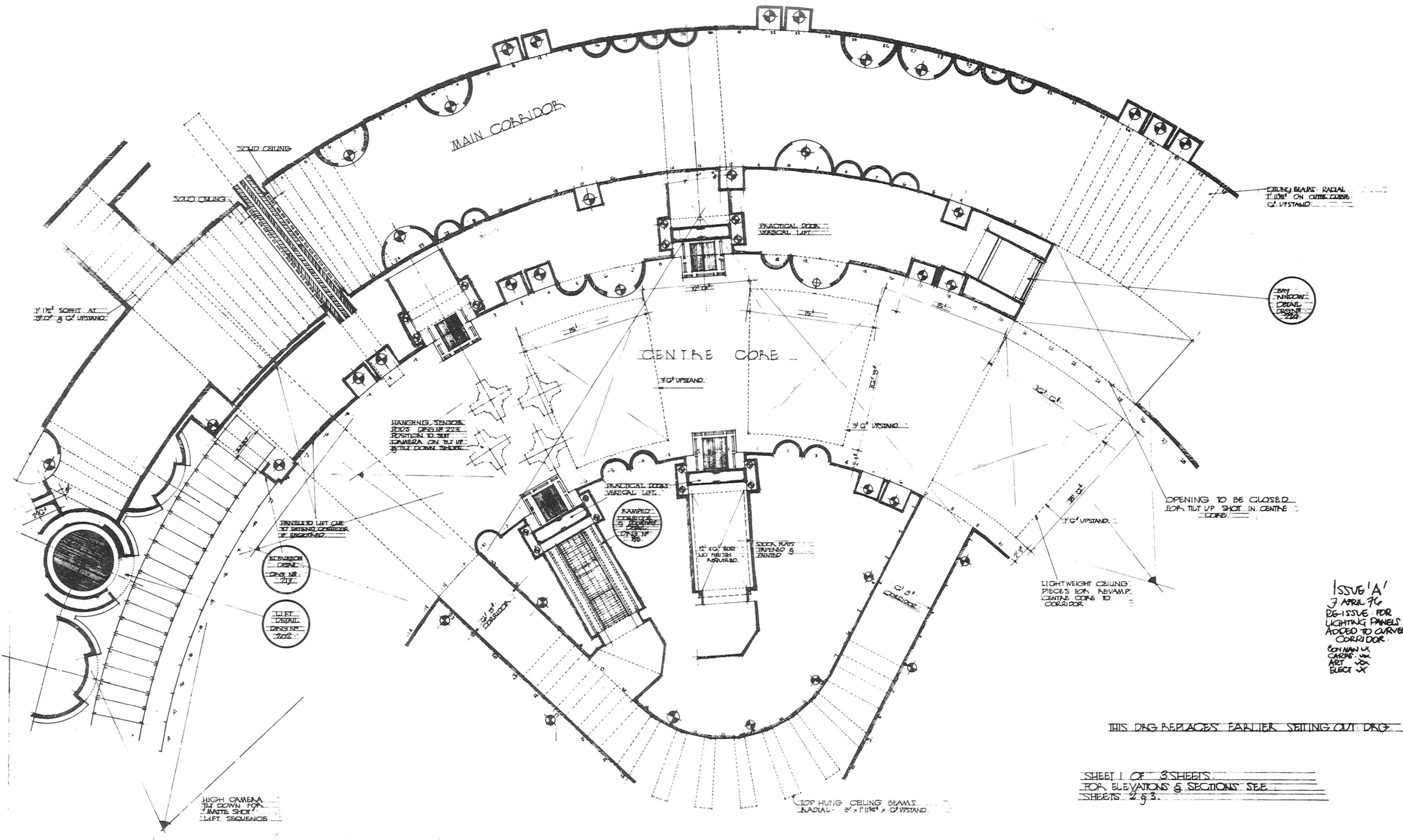
G G
(HALF)

NOTE: TO BE DRESSED WITH VARIOUS GREEBLYS AS TO ART DEPT. INSTRUCTIONS.

NOTE: FOR DETAILS OF FRONT UNDERCARRIAGE - SEE DRG. NO. 141.

20 CENTURY FOX LTD.		PROG. NO.
THE STAR WARS		E7691
SET	EXT. PIRATE STARSHIP.	SET NO.
DET. ILS.	REAR UNDERCARRIAGE ASSEMBLY, DET.	SCALE 1/2"=1'-0"
DRAWN: T.A.	DATE: 12-2-76	DRG. NO. 140
Pinator	ART	PROD

10 MILLENNIUM FALCON/LANDING GEAR



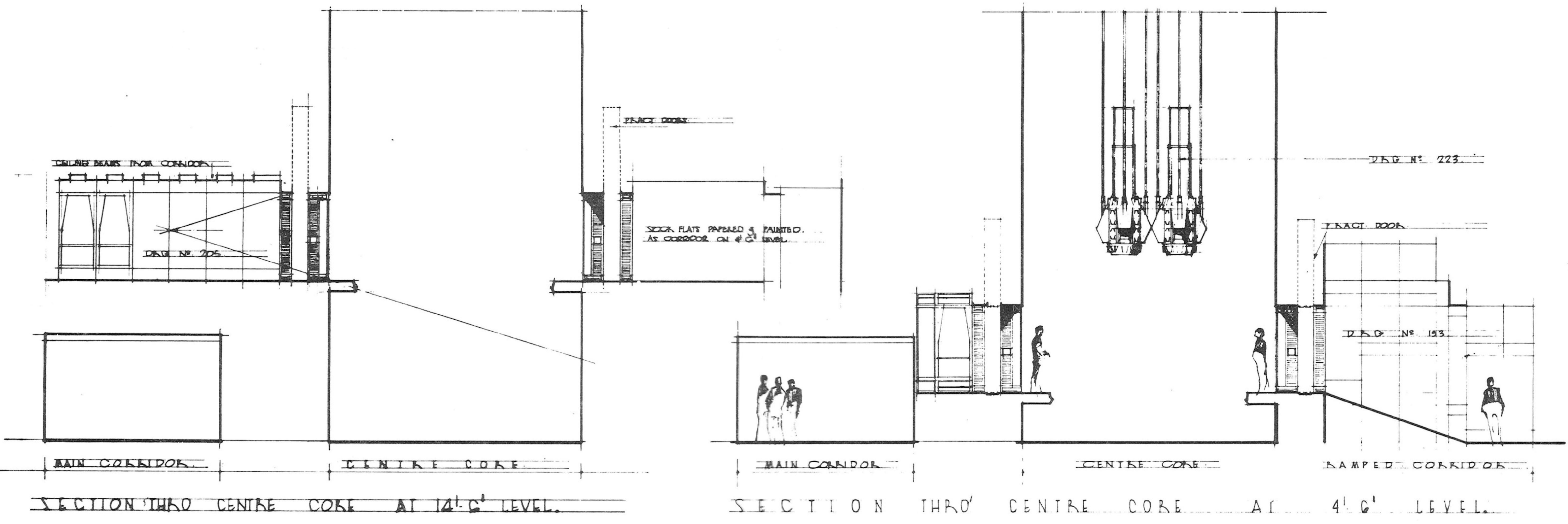
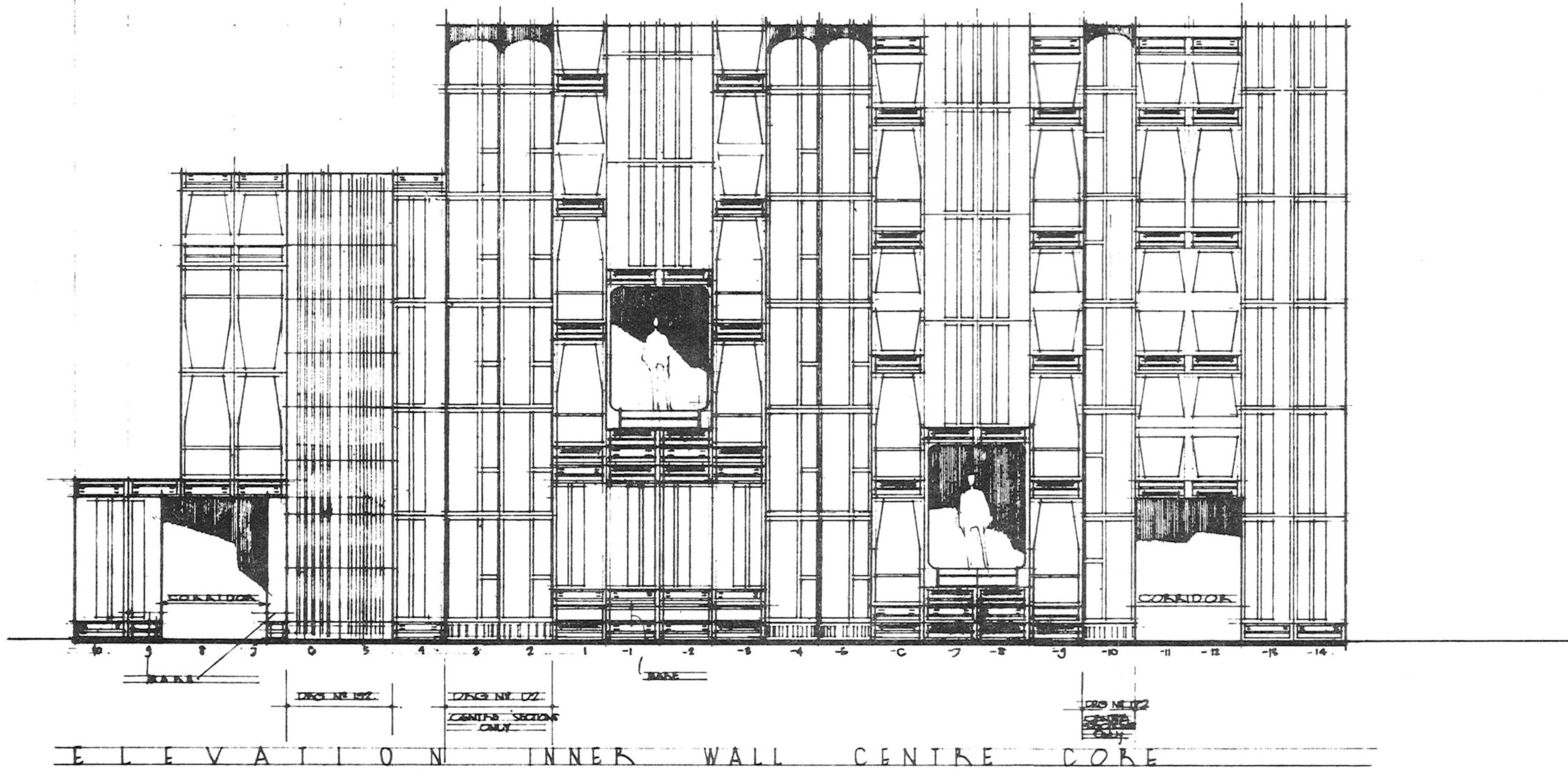
ISSUE 'A'
 7 APRIL 76
 RE-ISSUE FOR
 LIGHTING PANELS
 ADDED TO CURVED
 CORRIDOR.
 CONMAN X
 CARP X
 ART X
 ELECT X

THIS DRG REPLACES EARLIER SETTING OUT DRG.

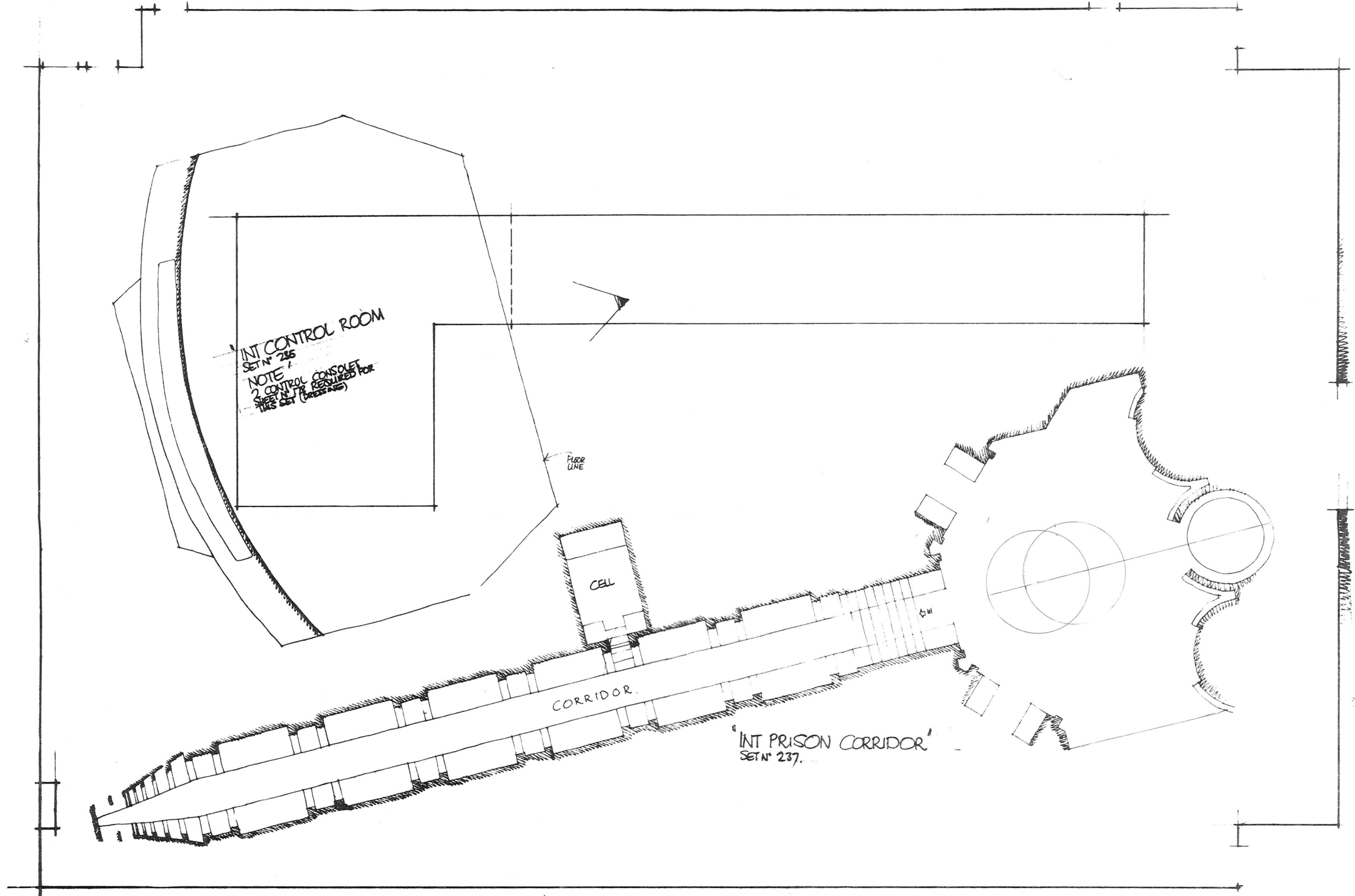
SHEET 1 OF 3 SHEETS
 FOR ELEVATIONS & SECTIONS SEE
 SHEETS 2 & 3.

11 DEATH STAR INTERIOR/INNER CHASM AND CORRIDORS

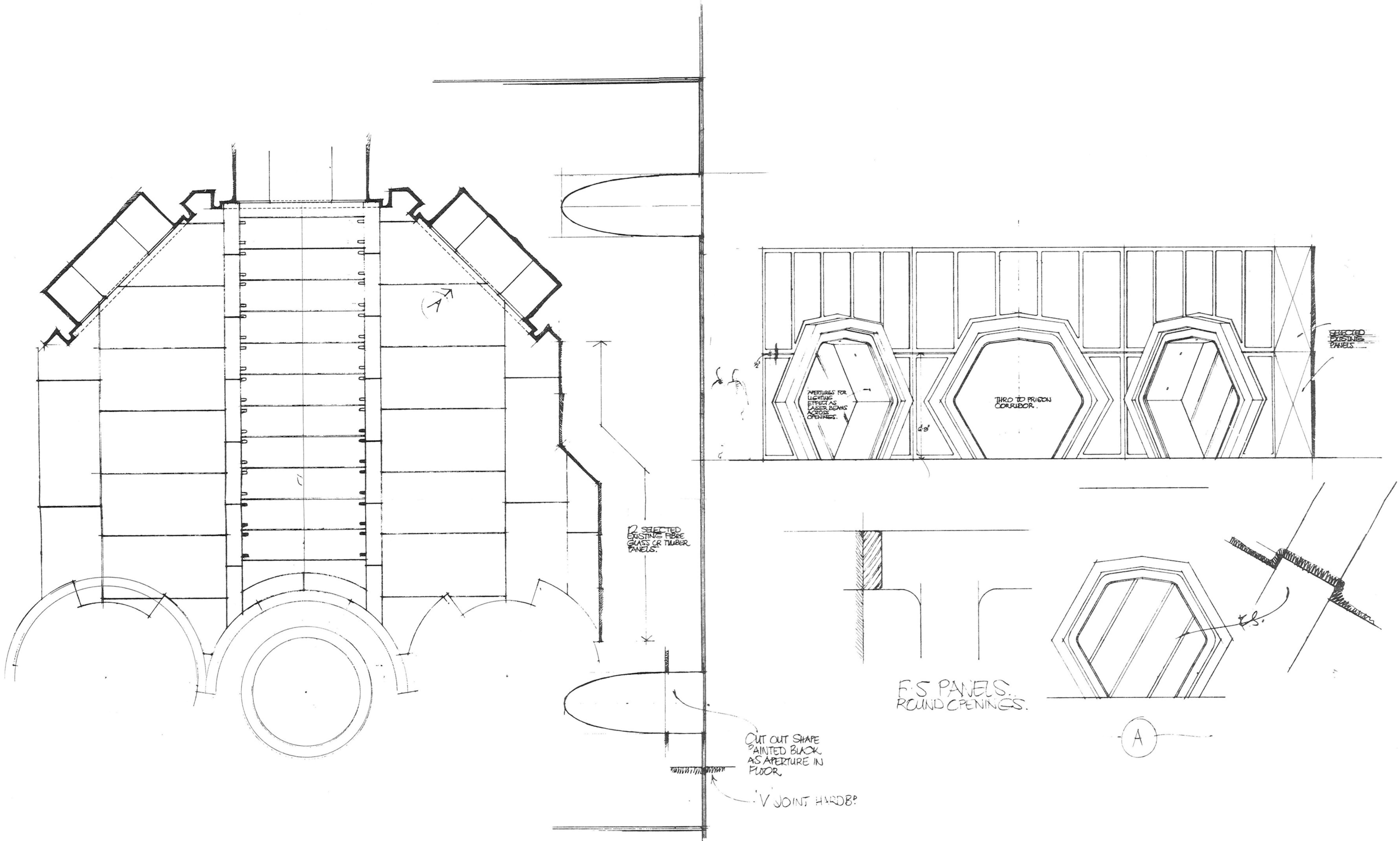
20 CENTURY FOX LTD.		PROJ. NO.
THE STAR WARS		E76/1
SET 'INT DEATH STAR'		SET NO. 23C
DETAILS ELEVATION INNER WALL CENTRE CORE		SCALE 1/4"
DRAWN BY	Carpe	DRG. NO.
DATE	1/17/77	229
BY	W. SFX	
BY	W. ART.	
BY	W. PROD.	
BY	W. ELECT.	



12 DEATH STAR INTERIOR DETAIL/INNER CHASM



13 DEATH STAR DETENTION BLOCK/PLAN VIEW



14 DEATH STAR DETENTION BLOCK/ANTEROOM

